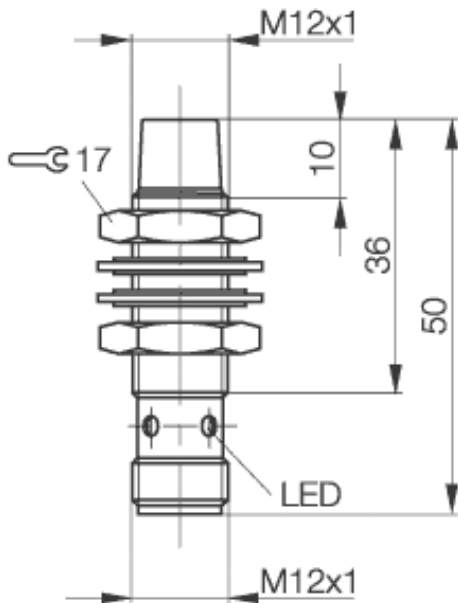


Inductive Sensors
BES M12MD1-PSC80E-S04G-W
M12x1 x 50
normally-open
Sn=8mm
unshielded
Factor 1



Common Data

Mounting in steel	unshielded
Rated operating distance Sn	8mm
Assured operating distance Sa	0...6,5mm
Repeatability R	≤ 5%
Hysteresis	≤ 15%
Function indication	yes
Ambient temperature range	-25...+70°C
Particular characteristics	Factor 1

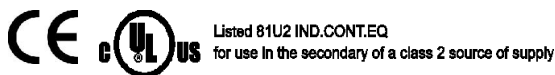
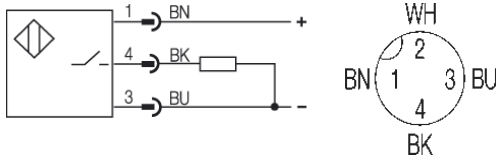
Mechanical Data

Measurements BxHxT or DxT	M12x1 x 50mm
Housing material	CuZn, PTFE coated
Material of sensing face	LCP + PTFE
Degree of protection	IP67IP
Connection	Connector S4 (M12)
Schock: Halfsinus, 30 gn, 11ms	
Vibration: 55 Hz, 1mm Amplitude, 3 x 30 Minutes	

Electrical Data

Current type	DC
Wiring	3-Wire
switching function	normally-open
Output signal	PNP
Rated operational voltage	24 DCV
Rated operational current	200mA
Supply voltage	10...30 DCV
Ripple	≤ 10%
max. switching frequency	2000Hz
No-load supply current	≤ 15mA
Off-state current	≤ 80µA
Voltage drop	≤ 2,5V
Short circuit protection	yes
Protected against polarity reversal	yes

PX1861



Utilization categories
 Insulation class

DC 13

Datasheet number:

Definitions see general catalog.
 If not otherwise noted, ratings according to
 IEC 60947-5-2 (DIN EN60947-5-2)

Balluff GmbH
 Schurwaldstrasse 9
 73765 Neuhausen a.d.F.
 Phone (07158) 173-0 Fax (07158) 5010

Datenblatt by CD-ROM - 04/2007

BALLUFF
 sensors worldwide